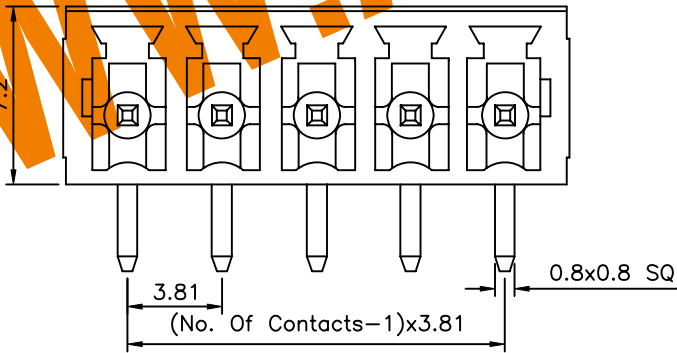
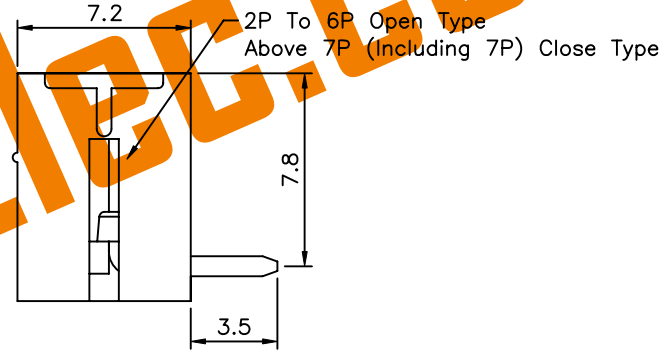
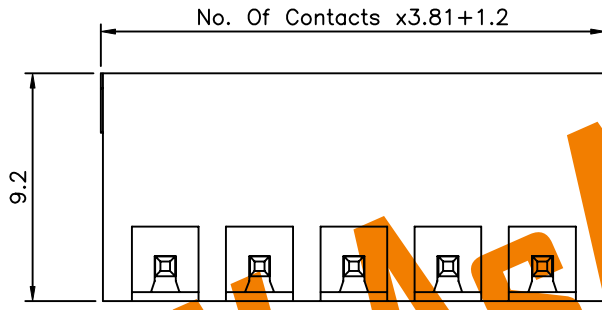


P.C.B Layout

**SPECIFICATION**

Current Rating:8A  
 Voltage Rating:250V AC  
 Withstanding Voltage:AC 1200V(1Minute)  
 Insulation Resistance:500 Megohms At DC 500V  
 Using Temperature Range:-40°C~+105°C  
 Soldering Temperature:+250°C,5Seconds Max.  
 Insulator Body(Housing):Polyamide  
 (Glass Filled)UL94V-0,Green  
 Solder Pin:Brass,Tin Plated  
 RoHS Compliant

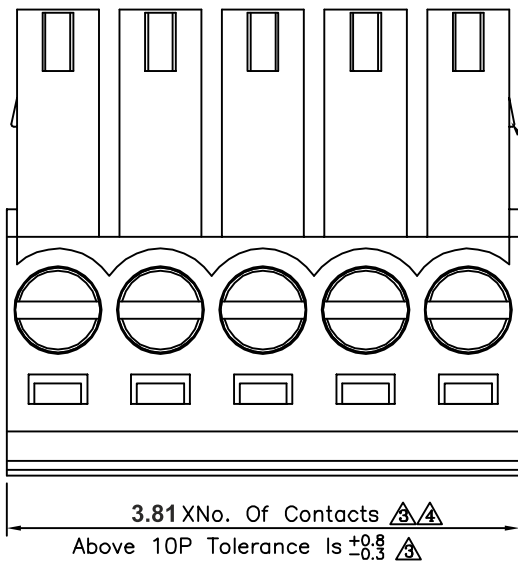


AsA Electronic Co.

Tel : (+98) 21 66 73 56 82 Mob : (+98) 912 03 161 02

DRAWING No.		APPROVED BY MEI		UNLESS OTHERWISE SPECIFIED TOLERANCES ARE X. ±0.50 .X ±0.30 .XX ±0.20 ANG. ±1°
		CHECKED BY HZF		
		DRAWING BY HYY		
SCALE	NONE	REV.	AO	UNIT mm

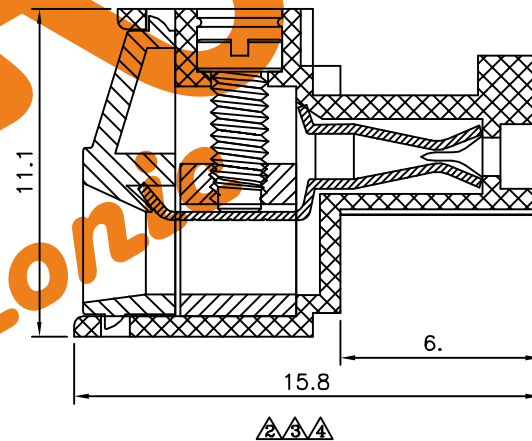
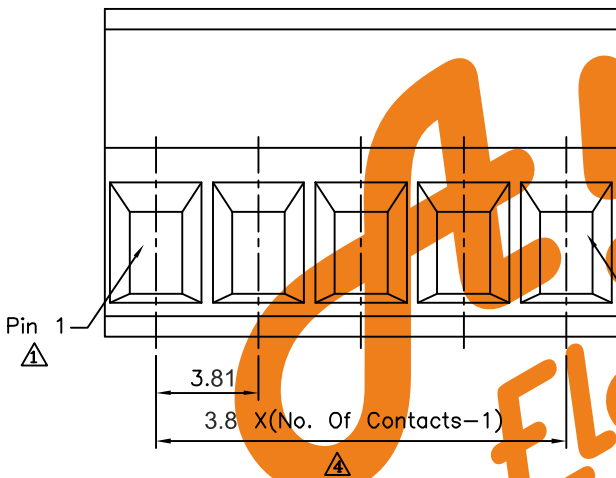
NO.	REV.	REVISIONS	CHK	DATE
△ A0		NEW RELEASE	HZF	04/10/2009



2P To 6P With Wedge, Above 7P Without Wedge(Including 7P)

**△ SPECIFICATION**

Voltage Rating:300V AC  
 Current Rating: 8 Amps/Way Max.  
 Contact Resistance:20 Milliohms Max.  
 Withstanding Voltage:2500V AC(1 Minute) Test Time=60 Sec/1 PCS  
 Wire Range:16~24 AWG  
 Torque:2.5 Kgf.cm/M2  
 Operation Temperature:-40°C~+105°C  
 Soldering Reliability:  
 Test Temperature=250°C±10°C/5 Seconds Max.  
 △ Contact(Metal Housing):Copper Alloy,Nickel Plated  
 Terminal Screw:Steel,Galvanized With Cr3+ Plated  
 Wire Guard:Copper Alloy,Tin Plated  
 △ Insulator Body(Housing):Polyamide(UL94V-0),Green  
 RoHS Compliant



Tel : (+98) 21 66 73 56 82 Mob : (+98) 912 03 161 02

DRAWING No.		APPROVED BY EMILY		UNLESS OTHERWISE SPECIFIED TOLERANCES ARE X. ±0.50 .X ±0.30 .XX ±0.20 ANG. ±1°
		CHECKED BY H.Z		
		DRAWING BY CYP		
SCALE	NONE	REV.	A4	UNIT mm

NO.	REV.	REVISIONS	CHK	DATE
△ A4		Modify Data	HZF	10/24/2014
△ A3		Modify Data	HZF	08/28/2012
△ A2		Modify Data	HZF	05/17/2012
△ A1		Modify Data	HZF	11/22/2011
△ A0		NEW RELEASE	HZF	04/09/2009